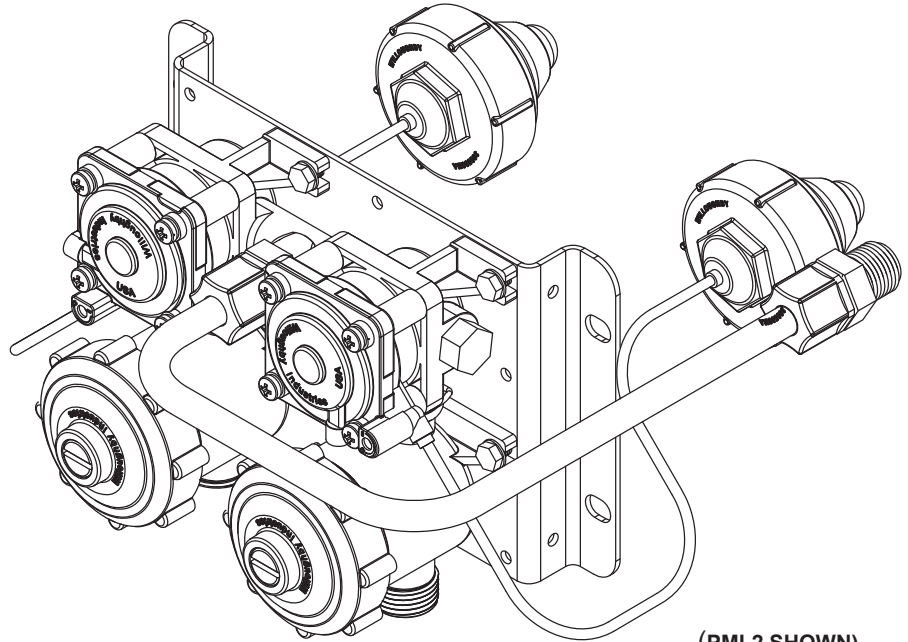


PML2 / PSL2 Dual Temperature Lead-free Pneumatic Valve



(PML2 SHOWN)

Recommended Specifications

Dual Temperature, Lead-free Pneumatic Valve assembly shall be:
Willoughby Model No. **P__L2** (Select from options list)

The valve assembly shall use diaphragms to pneumatically activate non-hold open metering (5-90 second) or non-metering pneumatic valves. The vandal-resistant push buttons shall be keyed/non-removable from the front of the fixture and shall require less than 5 lbs of force to operate.

The plastic valve checkstop/strainer shall feature integral mounting points. Replaceable stainless steel strainer and optional 0.5 GPM flow control can be serviced without disturbing the supply line. Assembly shall use flexible tubing to connect to the filler/bubbler/shower head. Water inlet is 1/2" MPT and is reversible for either top or bottom supply. A galvanized wall mounting plate is provided, wall anchoring hardware provided by others.

Flexible tubing is supplied for walls up to 8" thick. Recommended operating pressure shall be 35-70 psi. Valve shall withstand pressures up to 90 psi. The maximum length for tubing between the push button actuator and the valve is 10 feet. The pneumatic system is entirely self-contained and shall require no outside air supply. Cost reducing manifolded valves shall consist of multiple valve assemblies served by a common supply line. Valve complies with NSF-61 standard.

* This is not a substitute for a thermostatic mixing valve. The delivered water temperature is the result of the two combined inlet temperatures and cannot be adjusted by this valve assembly. The hot side of the valve must be supplied with tempered water.

***LIGATURE-RESISTANT DISCLAIMER**

This product is designed to minimize ligature points. While every effort has been made to reduce the possibility of ligature points, this product does not eliminate all risks. Ligature-Resistant products by Willoughby Industries are to be used in conjunction with, not as a replacement for, trained professionals.

Model Number:

- PML2 Dual Temp. Metering
- PSL2 Dual Temp. Non-metering

Flow Selection (choose one):

- 0.5 GPM Flow (lavatories)
- 1.5 GPM Flow (showers)
- 2.0 GPM Flow (showers)
- NFC (No Flow Control) (showers, up to MA2)

Push Button:

- PBH Ligature-resistant Pneumatic Push Button*
- PLPB Pneumatic Palm Push Button

Options:

- MA2 (Double Manifold, No flow limitation)
- MA3 (Triple Manifold, 0.5 GPM flow only)
- MA4 (Quad Manifold, 0.5 GPM flow only)
- TMV In-line Thermostatic Mixing Valve



WARNING: Cancer and Reproductive Harm

- www.P65Warnings.ca.gov



MADE IN THE U.S.A.

visit our website at www.willoughby-ind.com
5105 West 78th Street • Indianapolis, IN. 46268
(317) 875-0830 • Fax: (317) 875-0837 • (800) 428-4065