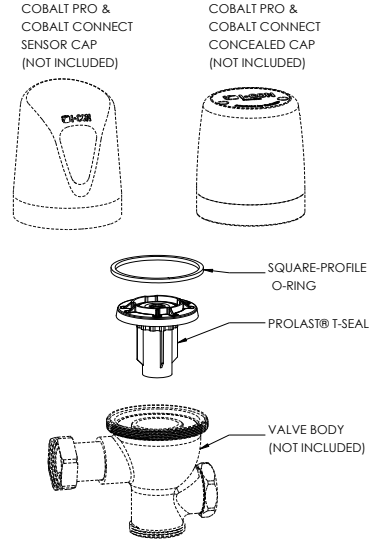


**COBALT Pro™ & COBALT Connect™
Rebuild Kit powered by ProLAST®
with TruFLUSH® Technology**



Part No. 101686

► **Description**

COBALT® Sensor Flush Valve Rebuild Kit rebuilds existing COBALT Pro™ and COBALT Connect™ flush valves and retrofit flush valves. Existing flush valve must have TruFLUSH® capabilities.

► **Features**

- Patented ProLAST® T-Seal, featuring a single-piece design, glass-reinforced polymer substrate with TPE overmolded seals
- Integral Stainless Steel bypass filter
- TPE overmolded seals are chlorine and chloramine resistant to prevent failure in the worst water conditions
- Dynamic sealing design provides accurate and consistent flush performance over time
- TruFLUSH® volume control uses live water pressure data to maintain desired flush volumes
- All water closets use the same ProLAST® T-Seal for easy maintenance
- All urinals use the same ProLAST® T-Seal for easy maintenance
- Includes ProLAST® T-Seal, and square-profile O-ring

► **Flush Volumes**

- Urinal
- Water Closet

Recommended Specification

COBALT Pro™ and COBALT Connect™ Flush Valve Rebuild Kit utilizes the I-CON patented ProLAST® T-Seal, featuring a single-piece design, glass-reinforced polymer substrate with TPE overmolded seals, and a stainless steel, integral bypass filter. The dynamic sealing design provides accurate and consistent flush performance over time.

WARNING: Cancer and Reproductive Harm - www.P65Warnings.ca.gov

This space is for Architect/Engineer approval

► **Accessories**

For additional accessories, see the Accessories Section of the I-CON catalog or contact our Customer Service Team for details.



The information contained in this document is subject to change without notice.