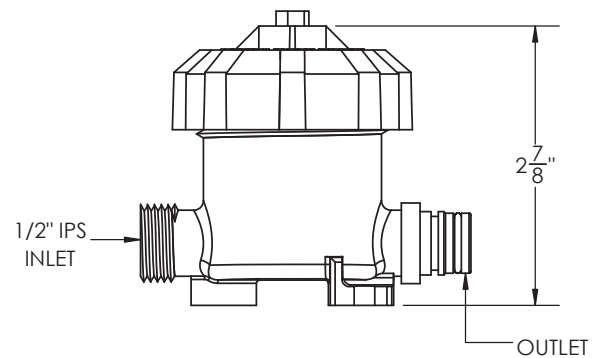
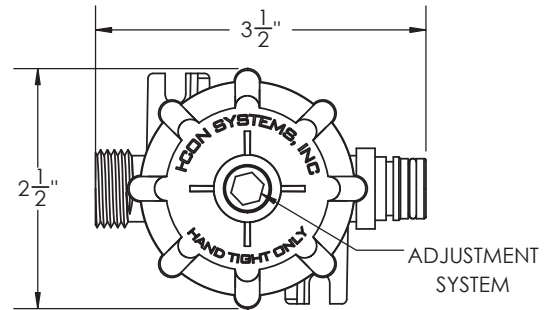


Check Stop with Strainer; clip style outlet



Part No. 100197 : Clip

► Description

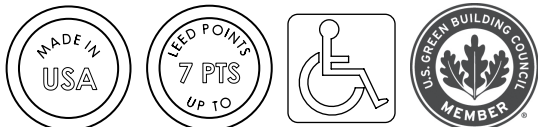
I-CON's Flow Control Check Stop with integrated strainer is designed to allow for full open or closed operation. The check stop's inlet port accepts 1/2" NPT connections.

Specifications

- 1/2" NPT Connections
- Constructed of High Strength Noryl Plastic
- For use with potable water applications

► Accessories

See Accessories Section of the I-CON catalog or contact our Customer Service Team for details.



WARNING: Cancer and Reproductive Harm - www.P65Warnings.ca.gov

This space is for Architect/Engineer approval

The information contained in this document is subject to change without notice.