

SUBMITTAL SHEET

JOB NAME	ITEM TAG
JOB LOCATION	PART NUMBER
CONTRACTOR	DATE
ENGINEER APPROVAL	DATE



LEAD-FREE QUARTER-TURN PRESS-TO-CONNECT CHROME SUPPLY STOP

P-595NL & P-596NL Press-to-Connect

Quarter-turn, self-cleaning ball valve design resists mineral and scale build-up, assuring positive shutoff and re-opening.

The ball-seat operation and dual O-ring stem seal features, out-perform traditional multi-turn stop designs.

Compact, chrome plated, forged brass bodies are both durable and decorative.

Manufactured for installation onto ASTM B88 types K, L and M hard-drawn copper tubing.

VUS pattern press-connection tubing sockets.

Working Pressure, Non Shock (PSI)

Cold working pressure (CWP): 125 CWP
Saturated steam (WSP): Not suitable for steam service
Maximum service temperature: 120° F



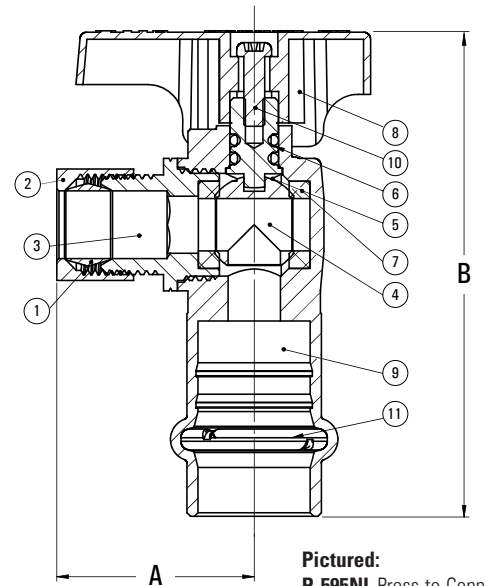
Pictured:
P-595NL
Press-to-Connect
Angle Stop



Pictured:
P-596NL
Press-to-Connect
Straight Stop

MATERIAL SPECIFICATION

PART	MATERIAL	SPECIFICATION
1 Compression ferrule	Brass	H62
2 Compression Nut	Chrome plated brass	UNS Alloy C37700
3 End adapter	Lead-free chrome plated brass	UNS Alloy C46500
4 Ball	Lead-free chrome plated brass	UNS Alloy C46500
5 Stem	Lead-free chrome plated brass	UNS Alloy C46500
6 Stem o-ring (2)	EPDM rubber	Commercial grade
7 Seat (2)	PTFE	Commercial grade
8 Handle	Chrome plated zinc	ASTM B86
9 Body	Lead-free chrome plated brass	UNS Alloy C46500
10 Screw	Stainless steel	AISI 201
11 Press o-ring	EPDM rubber	Commercial Grade



Pictured:
P-595NL Press-to-Connect
Angle Stop
Cut-away view

DIMENSIONS

SIZE	P-595NL Angle		P-596NL Straight	
	A	B	A	B
1/2" Press x 1/4" OD	1.21	2.74	1.09	2.73
1/2" Press x 3/8" OD	1.14	2.74	1.09	2.63

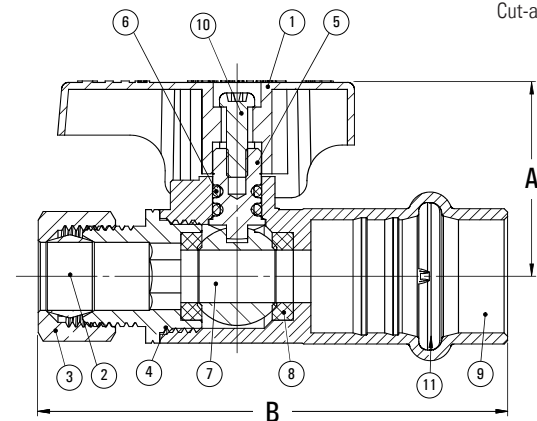
The insertion depth on all sizes is 1-1/8"

Certifications/Listings:

Third-Party certified.
ANSI/NSF 61: Drinking water system components health effects.

Standards:

ANSI/ASME B16.51: Copper and copper alloy press-connect pressure fittings.



Pictured:
P-596NL Press-to-Connect
Straight Stop
Cut-away view