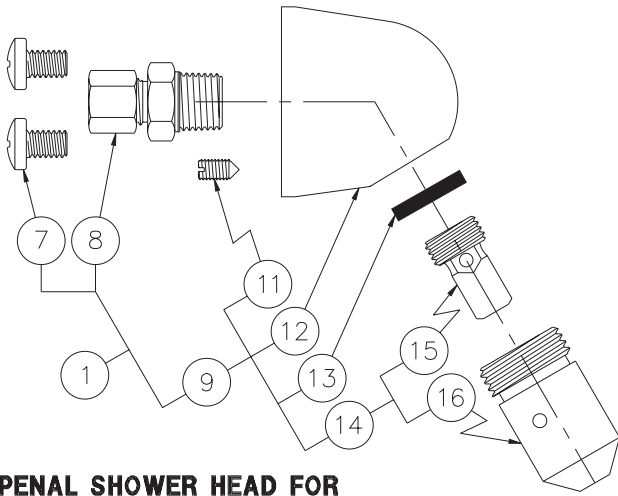
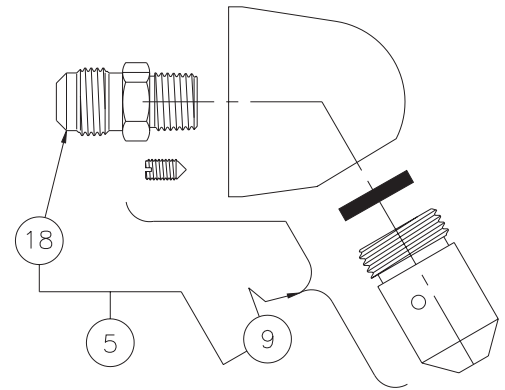


SHOWER HEADS

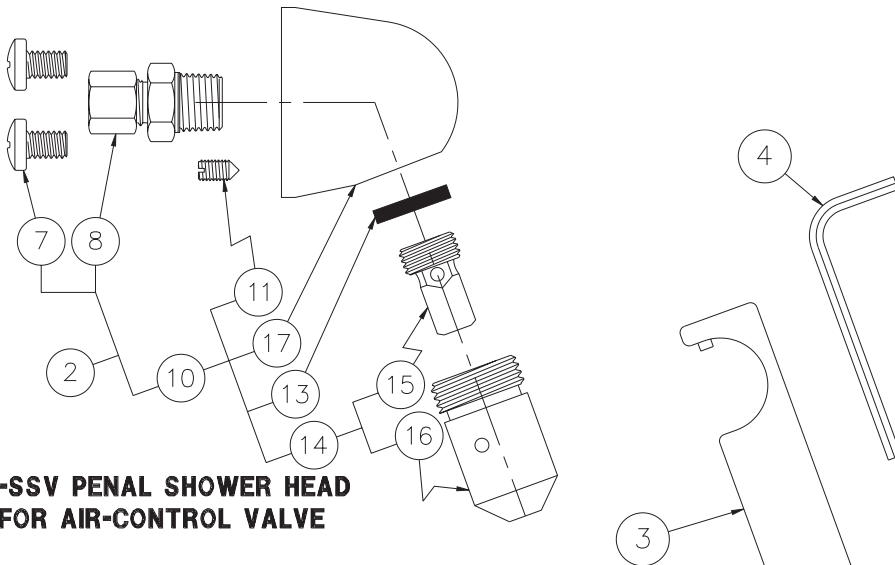
REPAIR PARTS



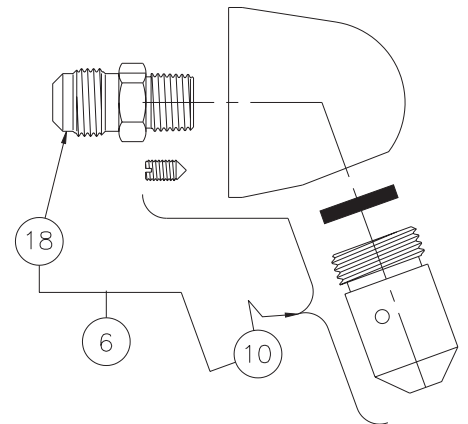
PENAL SHOWER HEAD FOR AIR-CONTROL VALVE



PENAL SHOWER HEAD FOR PENAL-TROL VALVE



-SSV PENAL SHOWER HEAD FOR AIR-CONTROL VALVE



-SSV PENAL SHOWER HEAD FOR PENAL-TROL VALVE

NOTE:

- 1- THESE SHOWER HEADS ARE USED WITH PENAL VALVES. FLOW CONTROLS ARE LOCATED IN APPLICABLE VALVE BODIES.
- 2- ADJUST SPRAY PATTERN BY ROTATING THE ADJUSTABLE INSERT WITH A 1/8" ALLEN WRENCH (ACCESS THROUGH THE SHOWER NOZZLE ORIFICE).
- 3- THESE HEADS USED ON MODEL 1730 AND 1741 SERIES.

1	1244-005-002	AIR-CONTROL PENAL SHOWER HEAD ASSY	10	1244-010-001	PENAL SHOWER HEAD ASSEMBLY -SSV
2	1244-010-002	AIR-CNTRL PENAL SHWR HD ASSY -SSV	11	0186-002-000	#10-32 x 3/8" CONE POINT SET SCREW
3	0356-000-001	PENAL SHOWER HEAD WRENCH	12	1244-001-199	PENAL SHOWER HEAD
4	0298-004-000	1/8" ALLEN WRENCH	13	0421-019-000	GASKET
5	1244-001-001	PENAL-TROL PENAL SHOWER HEAD ASSY	14	1241-001-001	SHOWER NOZZLE ASSEMBLY
6	1244-002-001	PENAL-TROL PENAL SHWR HD ASSY -SSV	15	1188-000-199	ADJUSTABLE INSERT
7	0126-504-000	1/4-20 x 3/8" PHILLIPS PAN HEAD SCREW	16	1241-001-199	SHOWER NOZZLE
8	1895-002-000	1/4" NPT x 1/4" O.D. MALE CONNECTOR	17	1244-002-199	-SSV PENAL SHOWER HEAD
9	1244-005-001	PENAL SHOWER HEAD ASSEMBLY	18	1891-007-000	3/8" FLARE x 1/4" MALE CONNECTOR
ITEM	PART NUMBER	DESCRIPTION	ITEM	PART NUMBER	DESCRIPTION

ACORN ENGINEERING COMPANY
 P.O. BOX 3527 INDUSTRY, CA. 91744
 (626) 336-4561 FAX (626) 961-2200

TITLE PENAL-WARE STD. SHOWER HEAD & SPACESAVER (OLD CATALOG #1756)

MANUFACTURE DATE
JUNE 1974
TO PRESENT

DATE ISSUED
09/01/89
 DATE REVISED
12/18/01

DRAWING NUMBER
9970-000-003