

TOILET FIXTURE - 4610 & 4615

Item: _____



Unit may be pictured with some optional features.



WARNING: Cancer and Reproductive Harm
- www.P65Warnings.ca.gov.

1.6 gpf (6.0 Lpf) Fixtures - 3" waste connection

- 4610** Back supply connection 1 1/2" (38mm) FIPT.
- 4615** Top supply connection 1 1/2" (38mm) MIPT.

STANDARD FEATURES

- **Front mounted fixture, wall hung, wall outlet waste.**
- **Toilet Bowl-**
 - Elongated.
 - High polished integral seat.
 - Self draining flushing rim.
 - Blowout flushing action.
 - Fully enclosed trap.
- **Hardware-**
 - Cap nuts provided for carrier bolts.

► DESCRIPTION

This toilet fixture is designed for high abuse areas without an accessible pipe chase. The fixture is fabricated using heavy gauge type 304 stainless steel, seamlessly welded to form a vandal resistant unit. Internal piping is stainless steel. Exposed surfaces are bead blasted or polished to form a Satin Finish, except for the integral seat which is polished to a bright finish.

► PERFORMANCE STANDARDS

Metcraft's standard toilet is a 1.6 gpf (6.0 lpf) fixture with a 3" (76mm) waste outlet. Metcraft bowls and assemblies are designed to withstand 5000 lb. (22kN) loading without permanent deflection and damage. This fixture meets or exceeds ASME A112.19.3 / CSA B45.4 standards for "Stainless Steel Plumbing Fixtures". The trap will pass a 2 1/8" (54mm) dia. ball. A minimum 1" (25mm) supply providing 35psi (241kPa) flushing pressure is required.



► INSTALLATION

The fixtures are designed for use with a standard blowout carrier (carrier is supplied by other manufacturers). The fixture is supplied with three 7/8" (22mm) dia. mounting holes to accept 5/8" (16mm) studs and three tamper-resistant cap nuts. The installer must provide wall openings for piping per rough-in drawings provided by Metcraft.

Water Consumption:

With a low consumption flush valve - 1.6 gpf (6 liters)

RECOMMENDED FLUSH VALVES

	SLOAN	ZURN	DELANY
Concealed low consumption	611-1.6	Z6611-1.6	F540-1.6
Exposed low consumption	111	Z6606-1.6	F439-1.6
 Concealed low consumption	9603-1.6	ZH6152-WS1-MBFW	1234-1.5
 Exposed low consumption	111	Z6000-1.6	439

Listed by



TOILET WASTE

- GW** Gasket waste outlet (Standard).
- PE** Plain end waste - 4" off fixture.

PRODUCT OPTIONS

- MS** High Polished Seat (Standard).
- HS** Hinged Seat
- HO** Punched for hinged seat (By Others).
- PCC** Powder Coat - Anti-microbial White.
- ADA** ADA Mounting height - 18" Integral Seat Height.
* Dimensions raised 3" for ADA

OPTIONAL ACCESSORIES

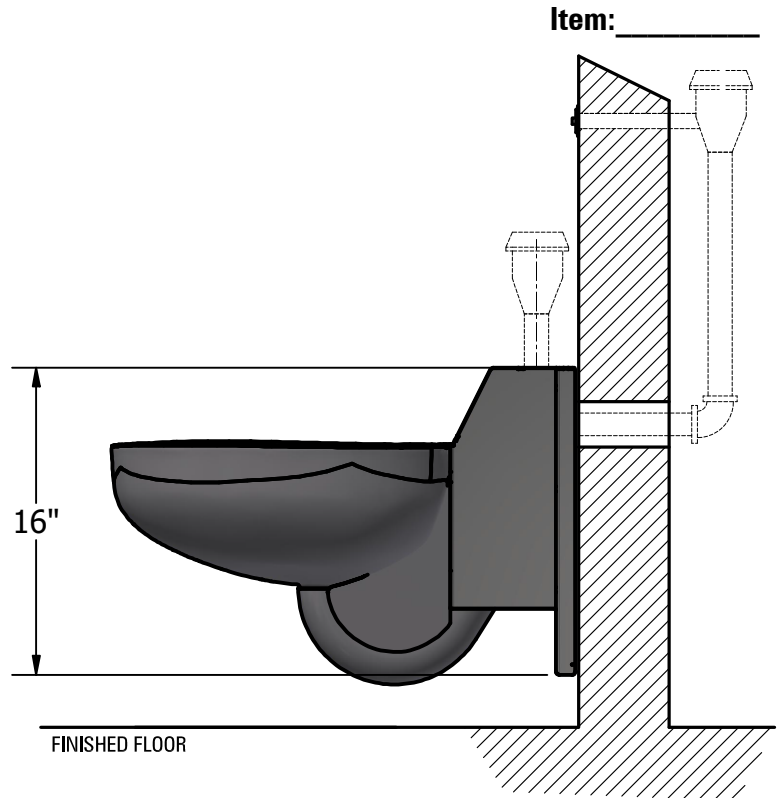
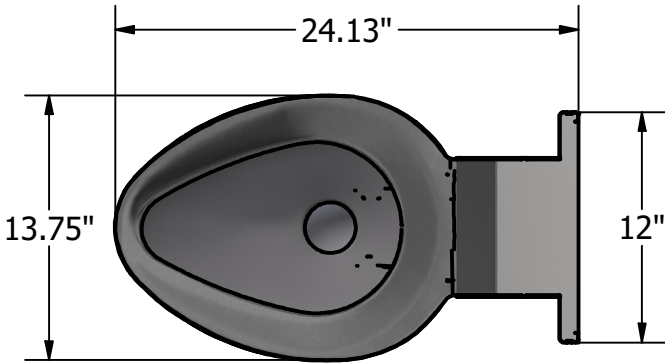
- TSC** Toilet Shipping Cover
- A168** Metal Template

No-Hub Connectors for 1.6gpf Units

- A210-3** 3" s/s to 3" CI No-hub Connector.
- A210-1** 3" s/s to 4" CI No-hub Connector.
- A215-3** 3" No-hub Test Tee.
- A215-4** 4" No-hub Test Tee.
- A216-3** Pinned Cleanout Plug 3"
- A216-4** Pinned Cleanout Plug 4"
- A247** Flush valve thru wall connector.
Wall Thickness: _____
- A611** Flush Valve access Panel. (Available on 4610).
- A615** Flush Valve Cover. (Available on 4615).

Wall Mounted Toilet Paper Holders

- A720** Chase Mounted Recessed Toilet Paper Holder.
- A721** Front Mounted Recessed Toilet Paper Holder.
- A722** Ligature Resistant Front Mounted Recessed Toilet Paper Holder.

TOILET FIXTURE - 4610 & 4615


Due to continuous product improvement Metcraft reserves the right to make changes in design and specifications without prior notice. All dimensions should be verified with the factory for current information.

APPROVED FOR MANUFACTURING	Company: _____	Name: _____
	Signature: _____	Date: _____