



Highcliff™ Ultra

Top spud flushometer bowl

K-96057

Features

- Elongated bowl.
- 1-1/2" (38 mm) top spud.
- 2-1/8" (54 mm) fully-glazed trapway.
- 10" x 7" (254 mm x 178 mm) water surface.
- 1.1 gpf (4.2 lpf), 1.28 (4.8 lpf) or 1.6 gpf (6.0 lpf) depending on flushometer specified.
- Also available with antimicrobial finish K-96057-SS.
- 10" or 12" (254 or 305 mm) rough-in.
- Supports static load of 2,500 lbs.

Material

- Vitreous china.

Technology

- Designed to outperform competitors in bowl cleanliness and plug resistance.
- Maximum waste removal.
- Engineered for toilet seat cover removal.
- Excellent bowl rinse.
- Engineered to flush effectively in buildings with low supply pressure and flow.
- Maximum drain line carry at all flush volumes per ASME standard.

Installation

- 26-1/8" L x 14-5/8" W x 16-5/8" H.
- Replaces Highcrest K-4302, Highcliff K-4368 and Highline K-4405. Height and footprint may vary.

Recommended Products/Accessories

K-23726 Drain treatment

Included Components

Additional Components:

- Bolt cap accessory pack
- Spud



ADA **CSA B651** **OBC**

Codes/Standards





ASME A112.19.2/CSA B45.1
 DOE - Energy Policy Act 1992
 EPA WaterSense®
 California Energy Commission (CEC)
 ADA
 ICC/ANSI A117.1
 CSA B651
 OBC

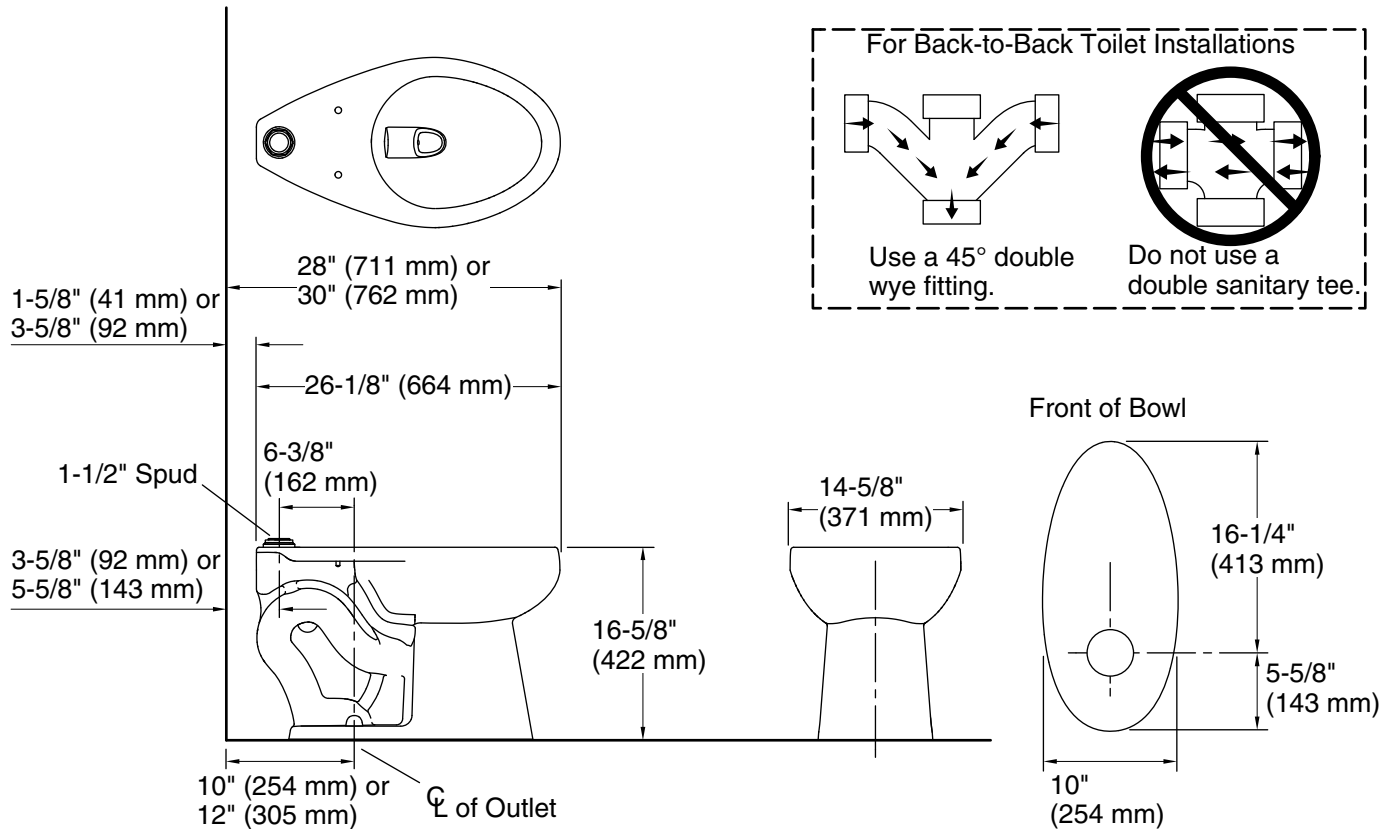
KOHLER® One-Year Limited Warranty

See website for detailed warranty information.

Available Colors/Finishes

Color tiles intended for reference only.

Color	Code	Description
	0	White
	96	Biscuit
	47	Almond
	7	Black Black™



Technical Information

All product dimensions are nominal.

Toilet type:	Flushometer, Floor-mount
Waste Outlet:	Floor
Bowl shape:	Elongated
Flush type:	Flushometer valve siphon
Spud size:	Inlet, Top
Trap passageway:	2-1/8" (54 mm)
Water surface size:	10" x 7" (254 mm x 178 mm)
Rim to water surface:	6" (152 mm)
Rough-in:	12" (305 mm)
Seat-mounting holes:	5-1/2" (140 mm)

Fixture Supply Requirements

Min static pressure:	35 psi (241.3 kPa)
Max static pressure:	80 psi (551.6 kPa)
Min flowing pressure:	25 psi (172.4 kPa)
Min flow rate:	25 gpm (94.6 lpm)

Notes

Install this product according to the installation instructions.

For back-to-back toilet installations: Use only a 45° double wye fitting.

ADA, OBC, CSA B651 compliant when installed to the specific requirements of these regulations.

Plumbing codes may require elongated toilets and elongated, open-front seats in public bathrooms.

Accessibility standards may require controls to be located on the open side of the toilet.